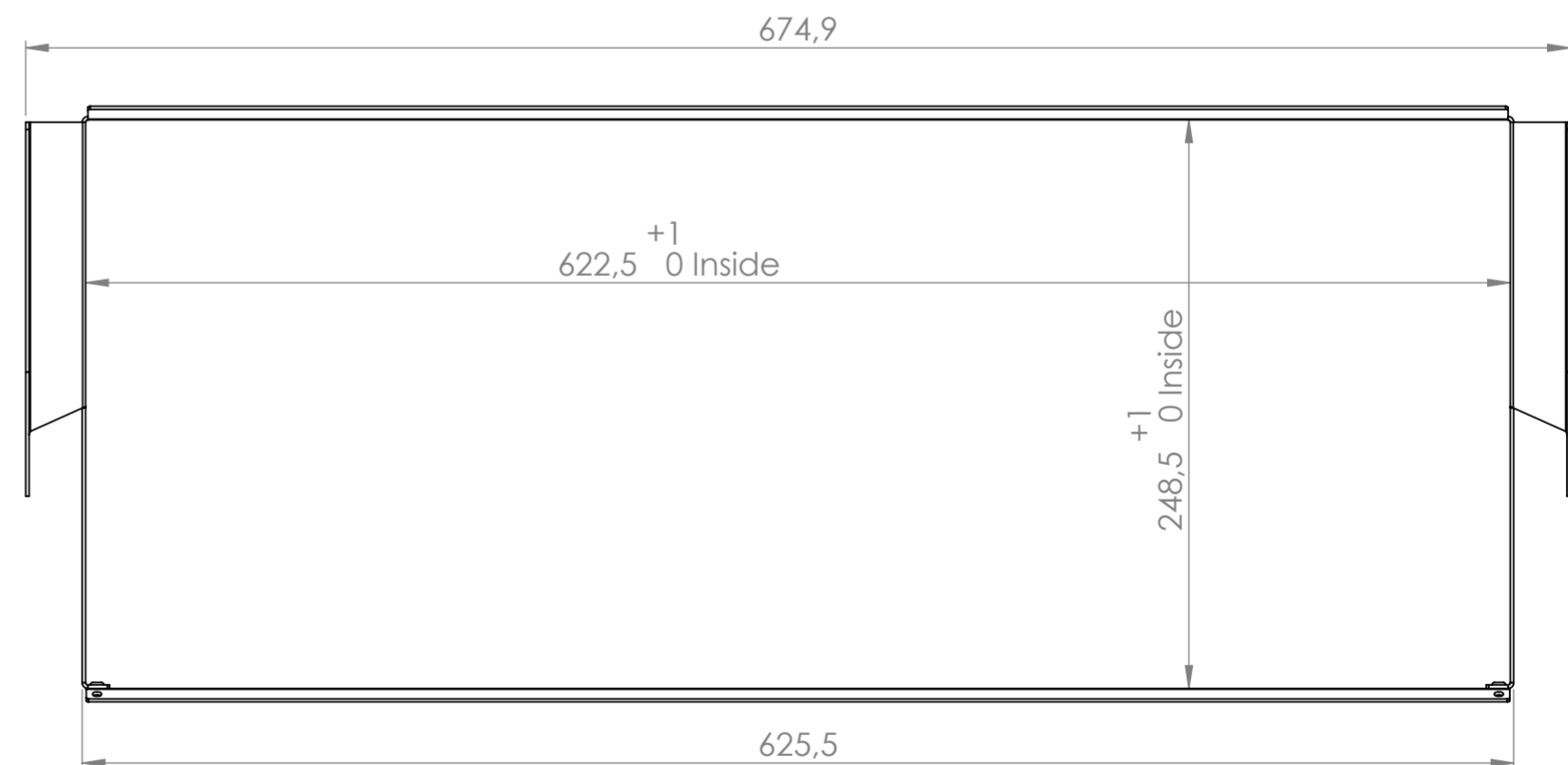
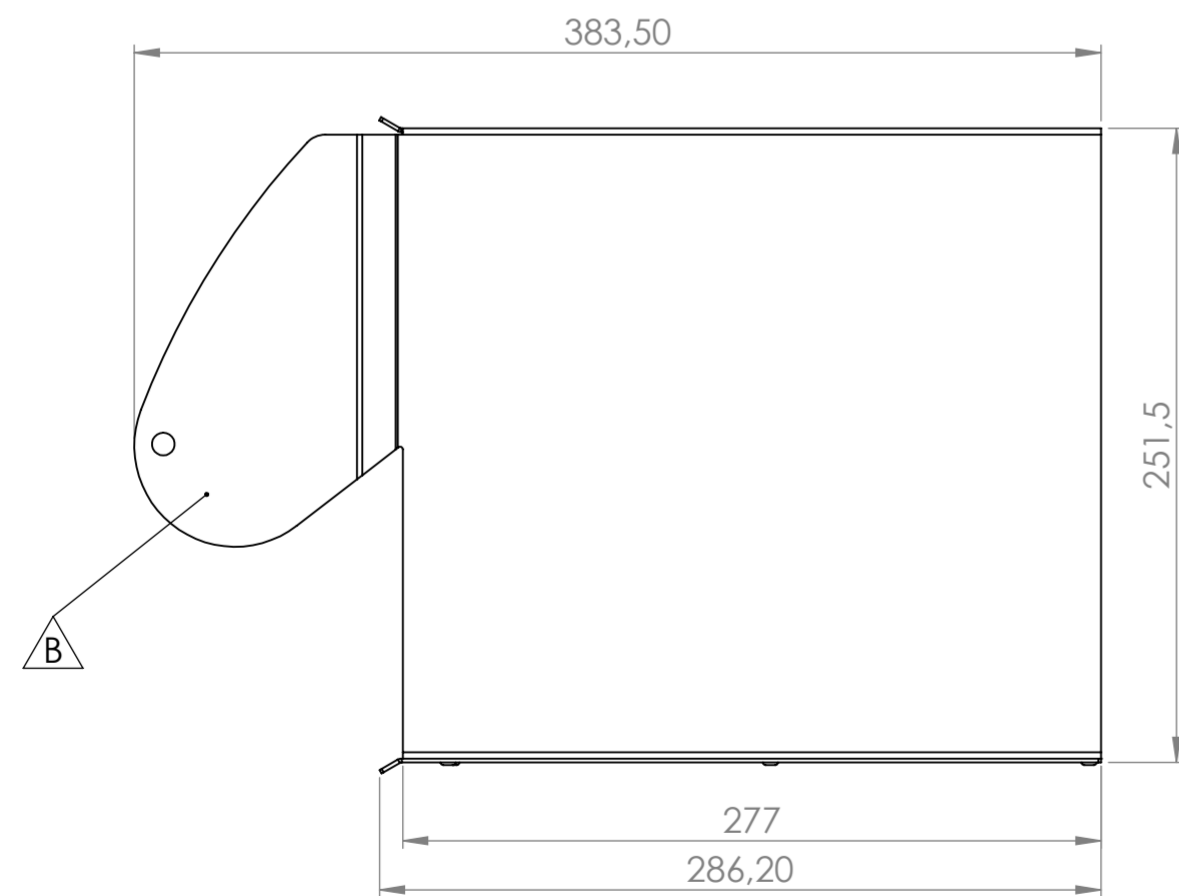
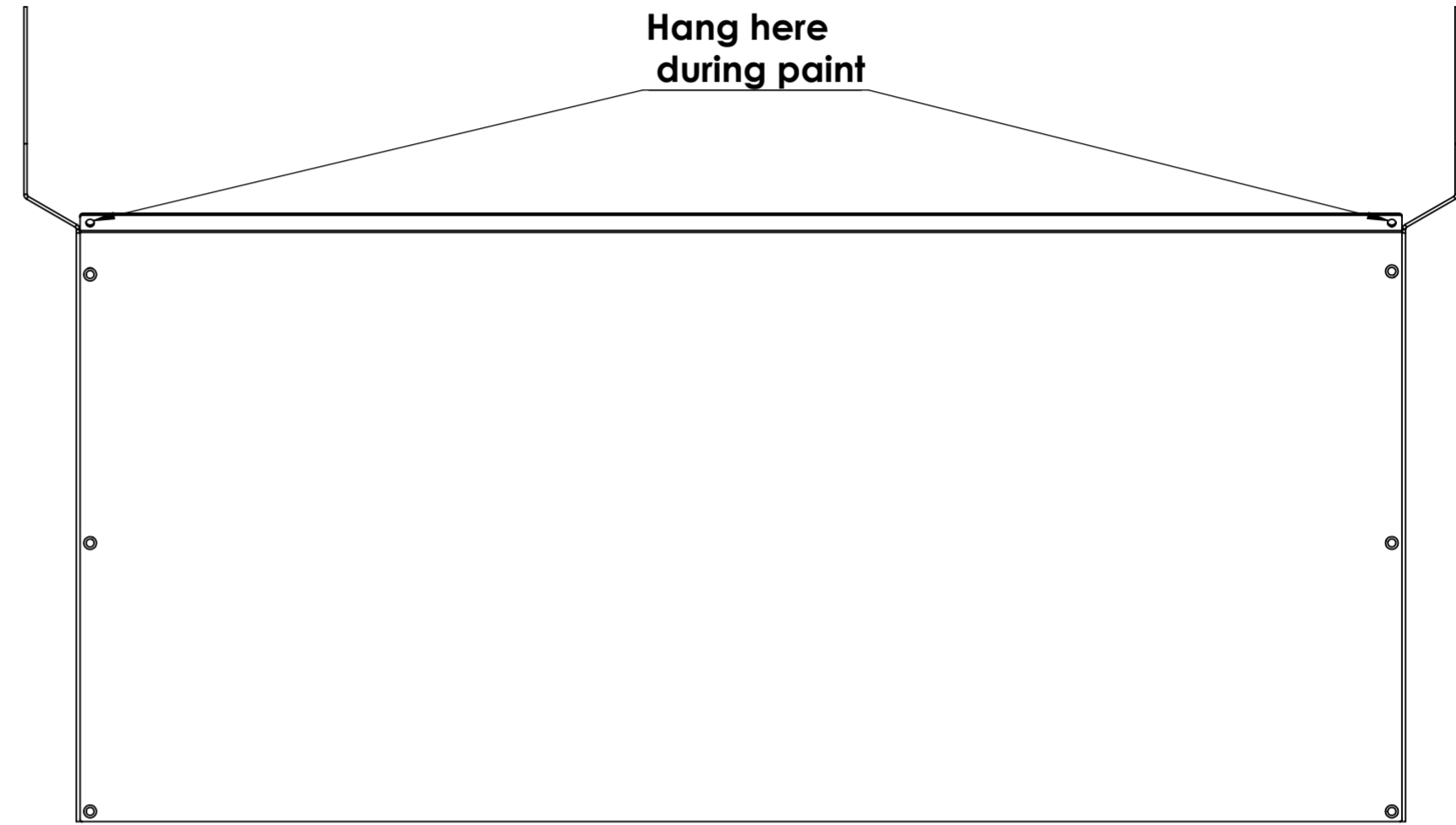
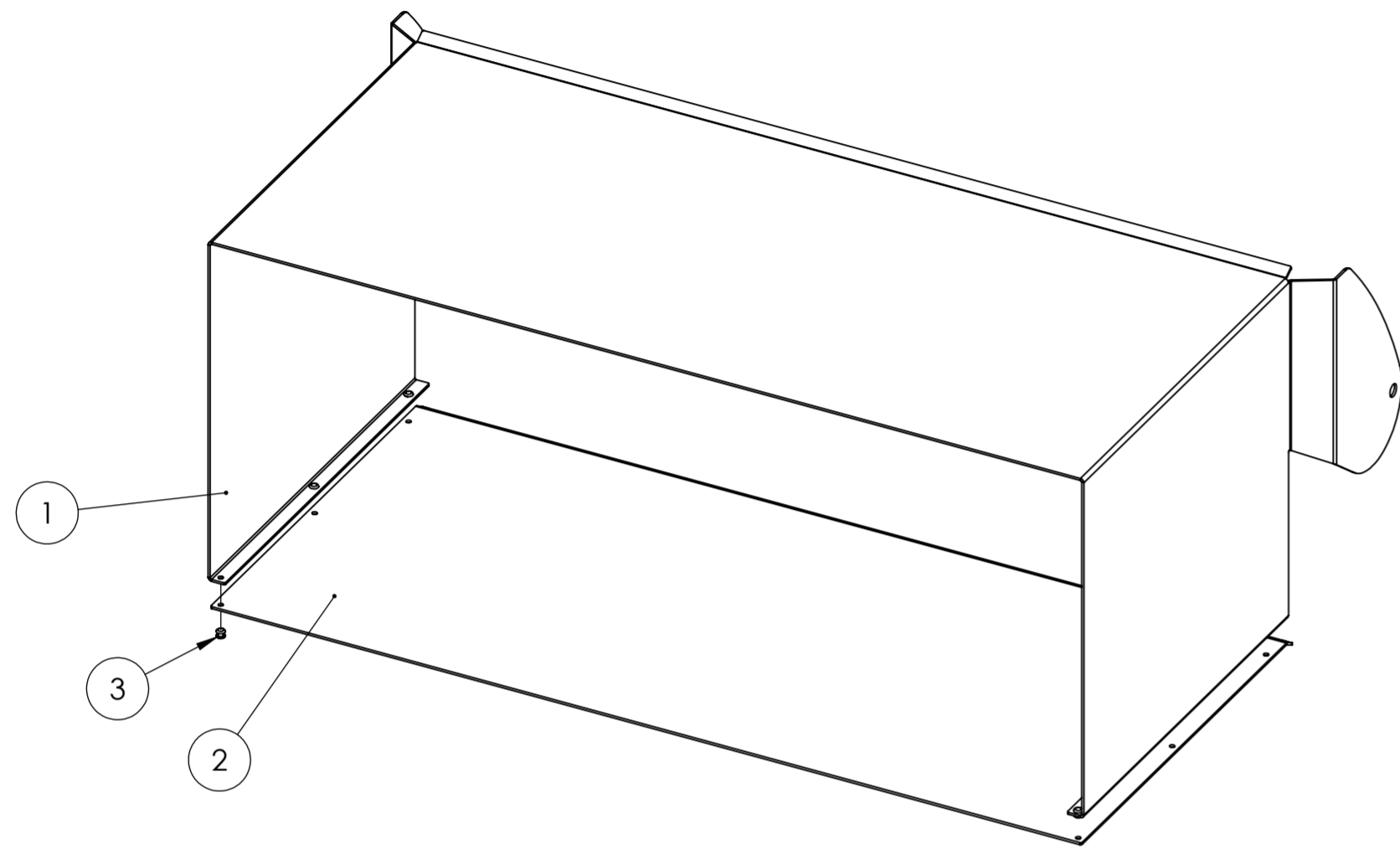


REVISIONS				
REV.	DESCRIPTION	ECO	DATE	CHANGED BY
A	Created	N/A	20-11-2017	MLA
B	Design updated to be mounted on outside of breaklocks.	N/A	11-12-2017	MLA



ITEM NO.	PART NUMBER	DESCRIPTION	QTY.
1	17000496-B	Plate, Anti glare shield - half, Large - Top	1
2	17000497-B	Plate, Anti glare shield - half, Large - Bottom	1
3	06220102-A	Dome head blind rivet, 3,2x6, DIN 7337 A	6

Tolerances according to ISO 2768-1: M		DEBUR AND BREAK SHARP EDGES	DO NOT SCALE DRAWING		PAPER SIZE: A2
Nominal size	Permissible deviations	All Dimensions are in mm			
0.5 up to 3	±0.1	NAME	DATE	TITLE:	Full Anti-Glare Shield, P-5, Q-7, i-5 Series
over 3 up to 6	±0.1	Created By	Monday, 25 September 2017 11:09:55	DWG NO.	
over 6 up to 30	±0.2	Last saved By	mia Thursday, 4 January 2018 11:49:53	FINISH:	63061167-B
over 30 up to 120	±0.3	MATERIAL:		SCALE:1:3	
over 120 up to 400	±0.5	WEIGHT: 2142.94		SHEET 1 OF 1	
over 400 up to 1000	±0.8				
over 1000 up to 2000	±1.2				